

# PACK CONTENTS

**HORIZON 480**  
2 x Quiespace® Panel  
8 x Horizon ceiling mounts  
8 x Horizon panel mounts  
8 x 1m galvanised cables  
8 x "Velda" cable clips

**HORIZON 720**  
1 x Quiespace® Panel  
6 x Horizon ceiling mounts  
6 x Horizon panel mounts  
6 x 1m galvanised cables  
6 x "Velda" cable clips

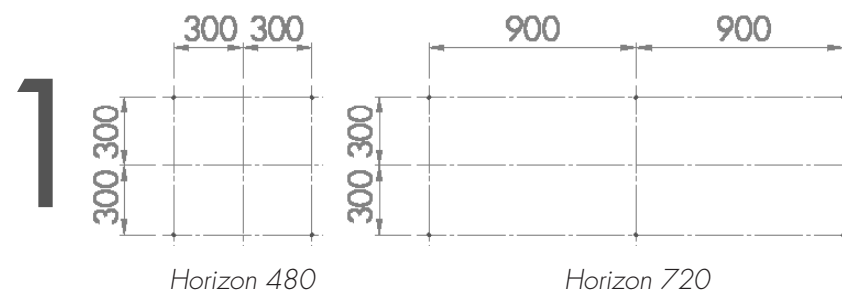
# Quiespace® HORIZON

## TRANSPORTATION, STORAGE & HANDLING

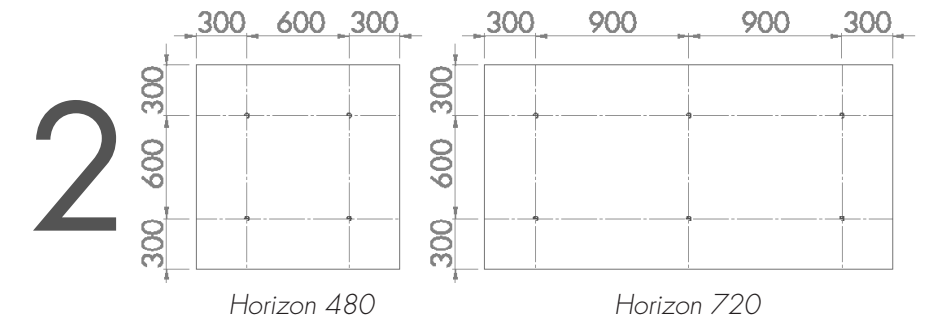
Quiespace® Panel must be transported, stored and handled with care. Avoid delamination or distortion and protect edges from being crushed. Leave protective spun-bond on front until installation is complete.

Do not accept damaged product. If product arrives damaged; note the condition on the freight documents and contact Autex immediately.

Goods signed as receipted in 'good condition' will not be the responsibility of Autex. Always transport and store Quiespace® Panel on a flat, clean, dry surface.



Determine where you want the Horizon panel to be hung. On the ceiling substrate, mark out the corresponding ceiling mount points measuring from the centre.



Mark out centres on the back of the Quiespace® Panel as per the above diagram. These will determine the fixing points of your Horizon panel mounts.

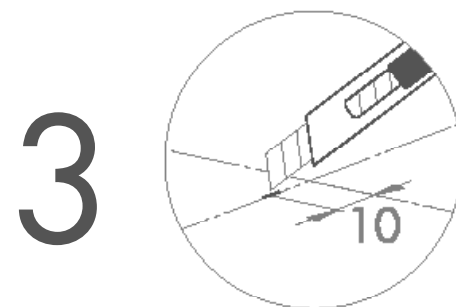


Fig. 1

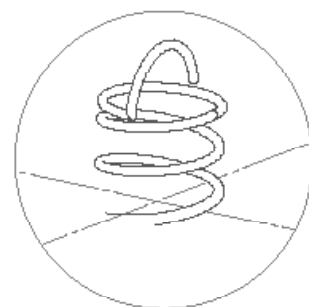


Fig. 2

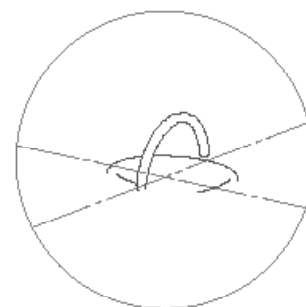


Fig. 3

With the Quiespace® Panel face-down on a flat surface, use a craft knife or similar sharp object to carefully make a small slice through the top-most layer of the panel approximately 10mm from marked centres. This will allow for the panel mounts to be easily inserted into the panel.

Using the pre-sliced section, screw in the Horizon panel mounts. Apply a firm downward pressure so the fixing picks up as much fibre as possible (Fig. 2). Screw until one full turn of wire is left visible (Fig. 3), ensuring the panel mounts remain centred at the marked points (Step 2).

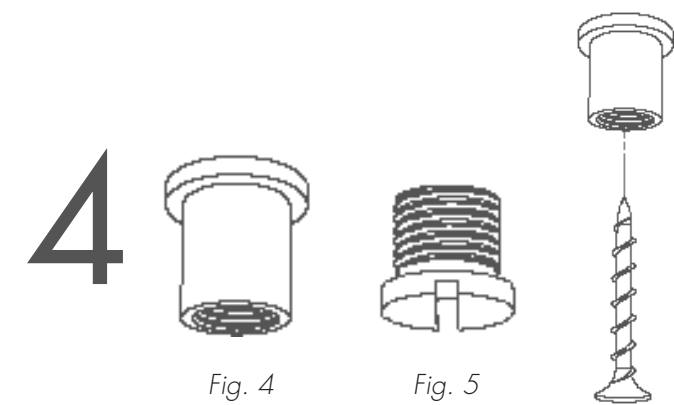


Fig. 4

Fig. 5

Separate the ceiling mounts into their individual parts - ceiling mounts (Fig. 4) and ceiling mount caps (Fig. 5).

Screw ceiling mounts (Fig. 4) to the ceiling substrate at the marked centres (Step 1) with a fixing appropriate for the substrate.

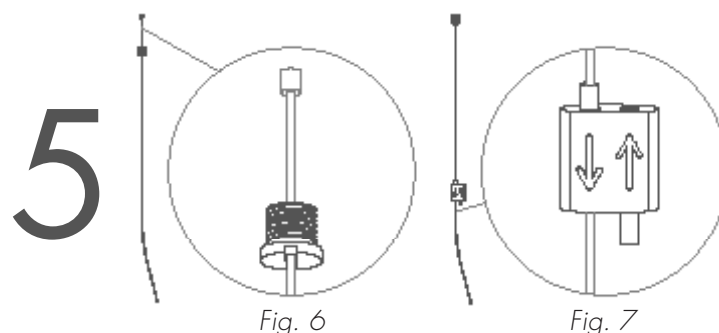
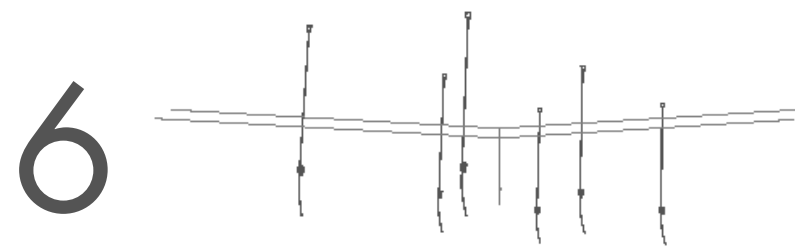


Fig. 6

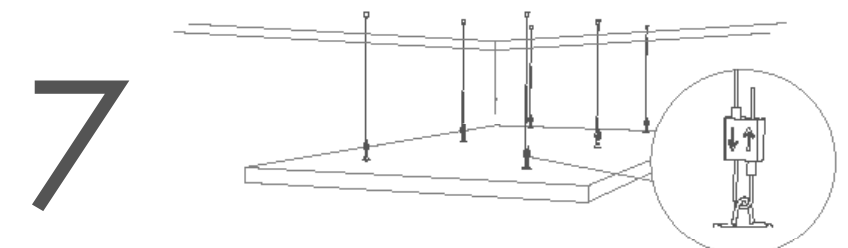
Fig. 7

Thread the ceiling mount caps (Fig. 5) onto the cables (Fig. 6).

Thread the "Velda" cable clips onto cables (Fig. 7).



Screw assembled cables into the fixed ceiling mounts.



Lift the panel up to meet the cables and loop the wires through the Horizon panel mounts followed by the "Velda" cable clips.

Level the panel, adjusting each fixing to hold equal tension so the panel hangs level.